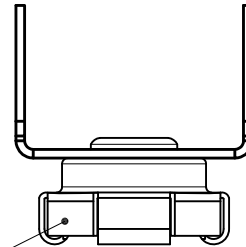
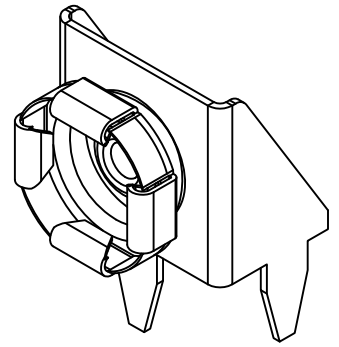
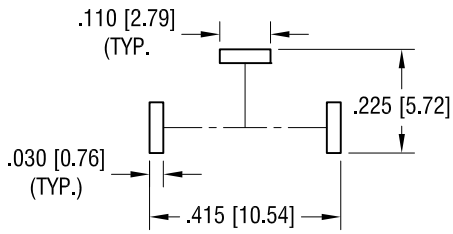
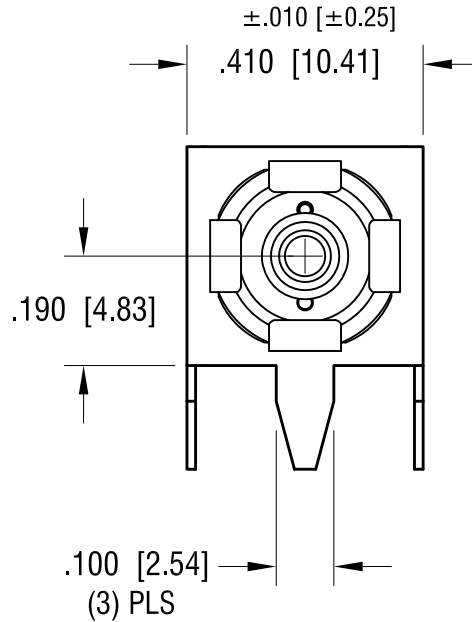
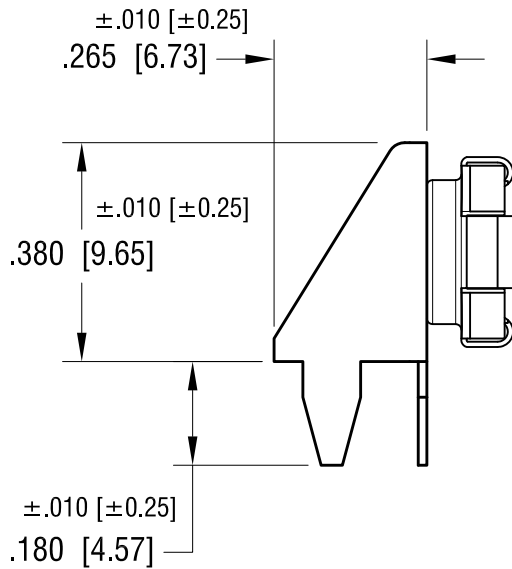


THIS DOCUMENT IS THE PROPERTY OF KEYSTONE ELECTRONICS CORP. AND SHALL NOT BE REPRODUCED, DISTRIBUTED OR USED AS A BASIS FOR MANUFACTURE WITHOUT PRIOR WRITTEN PERMISSION FROM KEYSTONE ELECTRONICS CORP.

**MOUNTING DETAIL**



SOCKET P/N 269



**NOTE:**

1. BASE - MAT'L: .015 [0.38] TH'K STEEL  
FINISH: MATTE TIN PLATE
2. SOCKET - MAT'L: STEEL  
FINISH: NICKEL PLATE

6.02.09 CHANGE AS PER ECN 09-042

A

DATE DESCRIPTION

REV.

**KEYSTONE ELECTRONICS CORP.**

www.keyelco.com • ASTORIA, N.Y. 11105-2017 • Tel (718) 956-8900

PART NAME

9 VOLT FEMALE PC SNAP-ON

MATERIAL

AS NOTED

FINISH

AS NOTED

DRN BY

BOONE

DATE

3.26.99

APP'D

LN

SCALE

3X

TOLERANCES

INCH [MM]

DECIMAL

± .005 [± 0.15]

ANGULAR

± 1°

UNLESS OTHERWISE SPECIFIED

CODE

C

DWG NO.

636